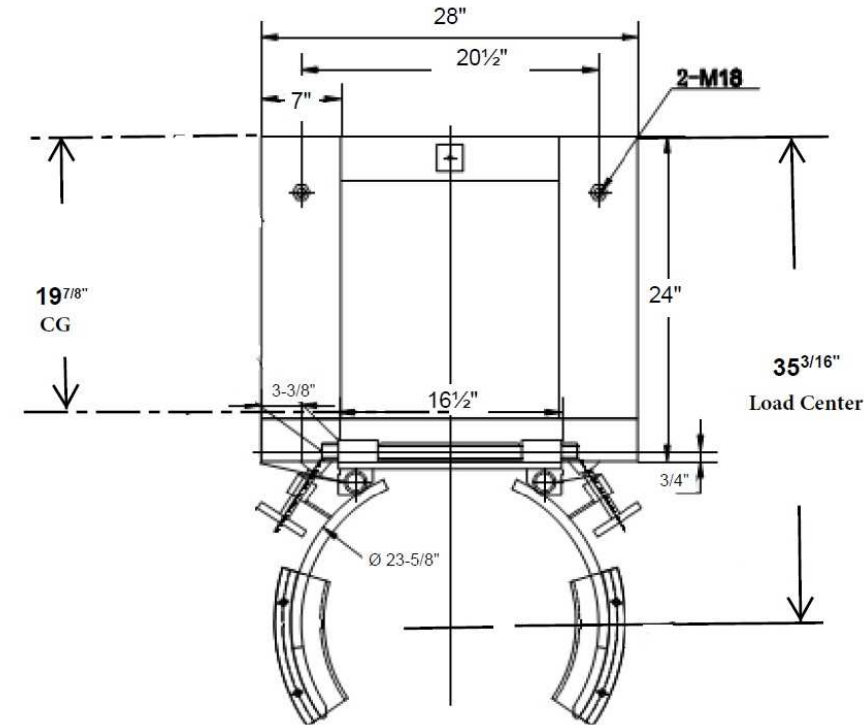


DRUM GRABBER - DGS-A-PSD

APPROX WEIGHT: 147 lbs.
DOES NOT INCLUDE WEIGHT OF POWER OR PACKAGING!!!

*** ANY ADDITIONS, DELETIONS, OR OMISSIONS MUST BE CORRECTED ON THIS DRAWING AS THIS DRAWING WILL BE CONSIDERED ALL INCLUSIVE ***

ALL GRAPHICS PROVIDED ARE FOR REFERENCE ONLY. IF CERTAIN DIMENSIONS ARE CRITICAL PLEASE VERIFY THOSE DIMENSIONS WITH YOUR SALESPERSON



DIMENSION TOLERANCE $\pm 1/2$ "

STANDARD FEATURES

MODEL NUMBER IS DGS-A-PSD
OVERALL WIDTH: 28"
OVERALL HEIGHT: 8"
USABLE LENGTH: 24"
DRUM DIAMETER: 23 5/8"
FORK POCKET CENTER: 20 1/2"
USABLE FORK POCKET SIZE: 7" X 2"
CENTER OF GRAVITY: 19 7/8"
LOAD CENTER: 35 3/16"
MAX UNIFORM CAPACITY IS 1,500 LBS.
TOUGH BAKED IN POWDER COATED YELLOW FINISH

SPECIAL FEATURES

NONE

APPROVAL	I, THE UNDERSIGNED, AGREE THAT THE PRODUCT AS REPRESENTED SATISFIES DESIGN AND DIMENSION REQUIREMENTS. I ALSO ACKNOWLEDGE MY DUTY TO CONFIRM PRODUCT AND INSTALLATION COMPLIANCE WITH ALL APPLICABLE FEDERAL, STATE AND LOCAL REGULATIONS AND STANDARDS.	
	ANY MODIFIED UNITS ARE NON-RETURNABLE	
	[] As drawn [] As marked	
	Signed: _____	Date: _____
Printed Name: _____		
LEAD TIME WILL START UPON RECEIPT OF SIGNED APPROVAL DRAWING		

FOR INTERNAL USE ONLY PROJECT SIGN OFF	
SALES	
ENG.	
FAB.	
POWER	

DISTRIBUTOR'S NAME: HOF EQUIPMENT COMPANY PH: 888-990-1150		P.O.# X
DRAWN BY: SJG		W.O.# X
DATE: 6/20/2018	SALES: X	FILE NAME:
REFERENCE: X	SCALE: 1:16	DGS-A-PSD
QUOTED LEAD TIME: X	QUOTE # X	